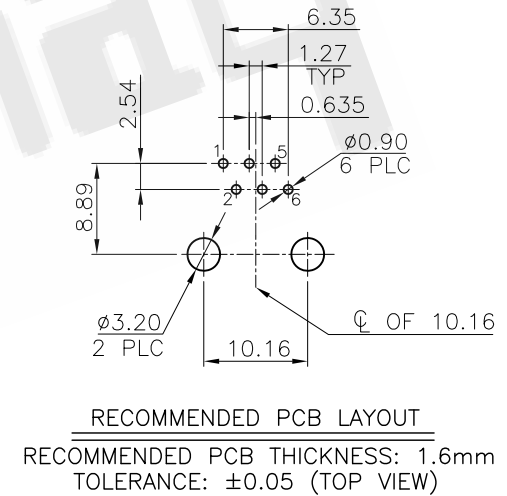


DETAIL B
SCALE 2:1



THIS DRAWING IS A CONTROLLED DOCUMENT.
DO NOT SCALE DRAWING.

DIMENSIONS: MM
TOLERANCES UNLESS OTHERWISE SPECIFIED:

THIRD ANGLE PROJECTION	0 PLC	± -
	1 PLC	± 0.25
	2 PLC	± 0.13
	3 PLC	± 0.05
	ANGLES	± -

MATERIAL SEE NOTES
FINISH SEE NOTES

DWN *A.HUANG* DATE JAN-15-2010

CHK *M.CHANG* JAN-15-2010

APVD *W.J.YANG* JAN-16-2010



TITLE
6POSITION, 90° (SPLIT PEGS),
SIDE ENTRY PCB JACK

SIZE A3	CAUSE CODE -	DRAWING NO MR-960202
WEIGHT -	GRAMS Ref.	REV 4 SHEET 1