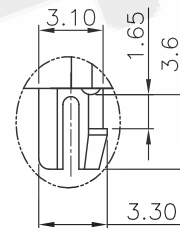
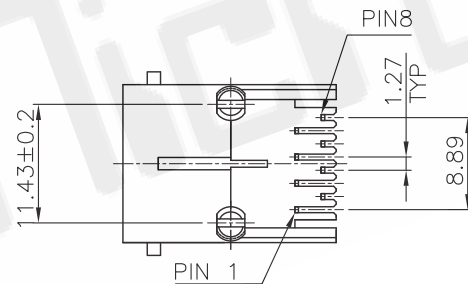
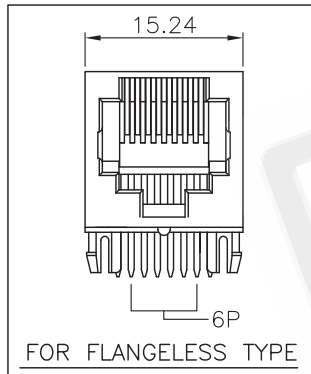
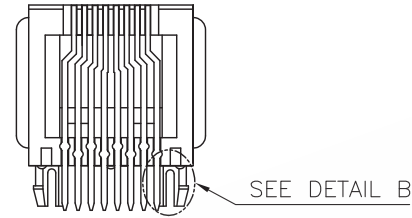
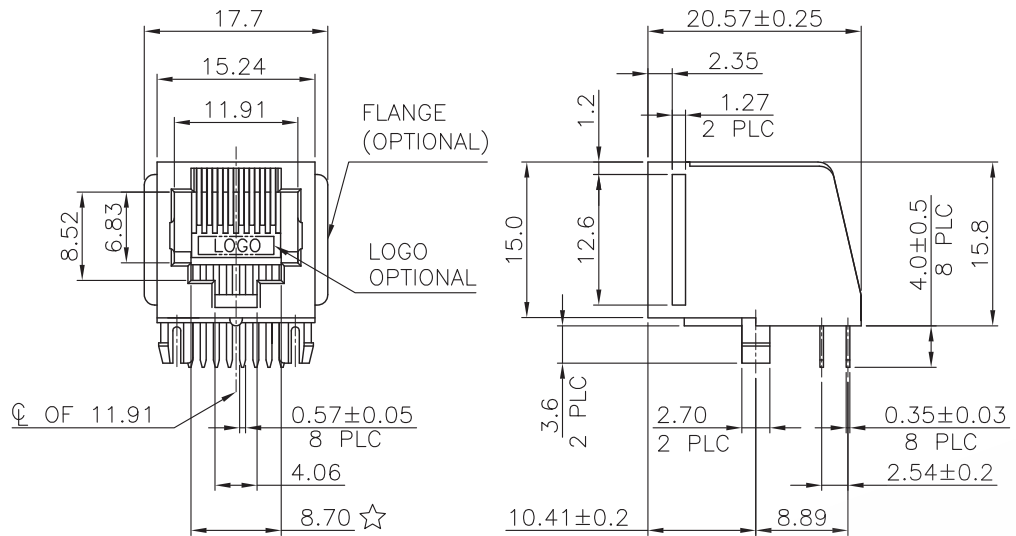
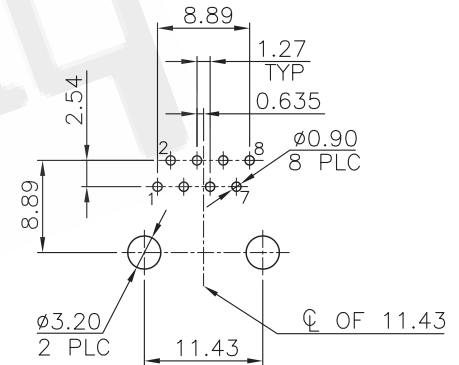


# Micro-Ray

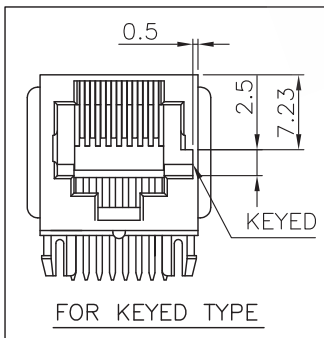
# RoHS Compliance



DETAIL B  
SCALE 2:1



RECOMMENDED PCB LAYOUT  
RECOMMENDED PCB THICKNESS: 1.6mm  
TOLERANCE: ±0.05 (TOP VIEW)



THIS DRAWING IS A CONTROLLED DOCUMENT. DO NOT SCALE DRAWING.	
DIMENSIONS: MM	TOLERANCES UNLESS OTHERWISE SPECIFIED:
	0 PLC ± - 1 PLC ± 0.25 2 PLC ± 0.13 3 PLC ± 0.05 ANGLES ± -
THIRD ANGLE PROJECTION	
MATERIAL SEE NOTES	FINISH SEE NOTES
DWN <i>A.HUANG</i>	DATE MAY-11-2016
CHK <i>M.CHANG</i>	MAY-11-2016
APVD <i>W.J.YANG</i>	MAY-12-2016

# Micro-Ray

TITLE  
8POSITION, 90° (SPLIT PEGS),  
SIDE ENTRY PCB JACK

SIZE A3	CAUSE CODE -	DRAWING NO MR-960203
WEIGHT -	GRAMS Ref.	REV 5 SHEET 1