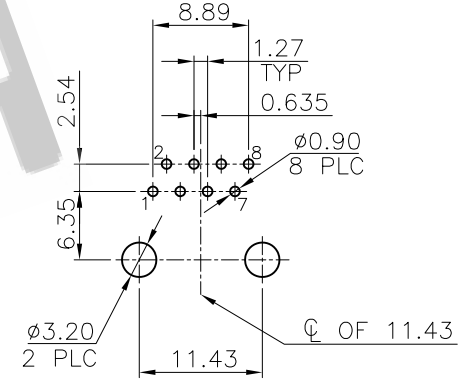
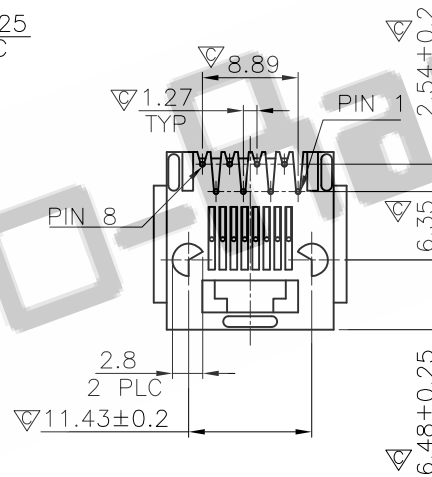
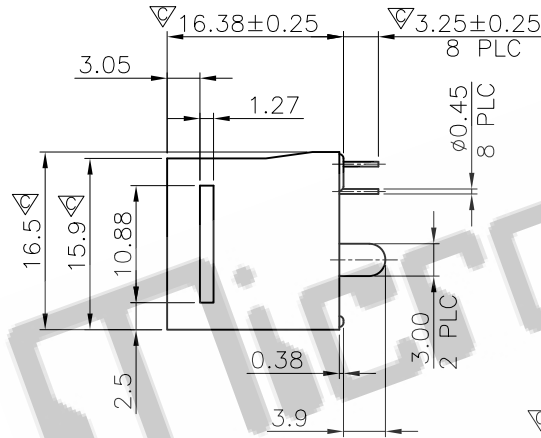
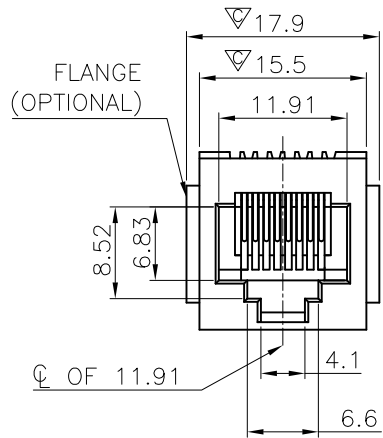
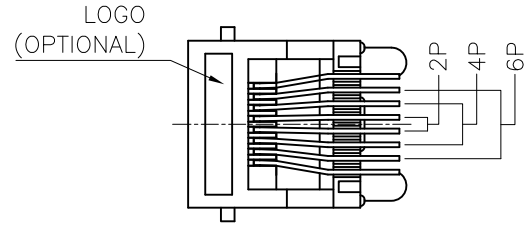
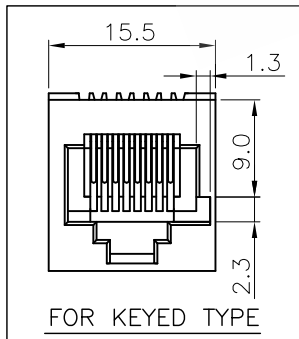
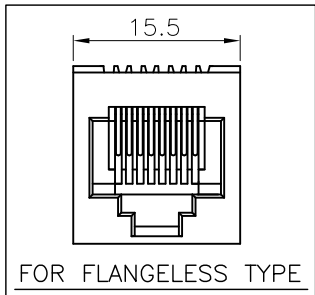


Micro-Ray

RoHS Compliance



RECOMMENDED PCB LAYOUT
 RECOMMENDED PCB THICKNESS: 1.6mm
 TOLERANCE: ±0.05 (TOP VIEW)



THIS DRAWING IS A CONTROLLED DOCUMENT. DO NOT SCALE DRAWING.	
DIMENSIONS: MM	TOLERANCES UNLESS OTHERWISE SPECIFIED:
	0 PLC ± - 1 PLC ± 0.25 2 PLC ± 0.13 3 PLC ± 0.05 ANGLES ± -
THIRD ANGLE PROJECTION	
MATERIAL SEE NOTES	FINISH SEE NOTES
DWN <i>A.HUANG</i>	DATE MAR-08-2010
CHK <i>M.CHANG</i>	MAR-08-2010
APVD <i>W.J.YANG</i>	MAR-09-2010

Micro-Ray

TITLE
 8POSITION, 180°, L PEGS,
 TOP ENTRY PCB JACK

SIZE A3	CAUSE CODE -	DRAWING NO MR-960504
WEIGHT -	GRAMS Ref.	REV 4 SHEET 1