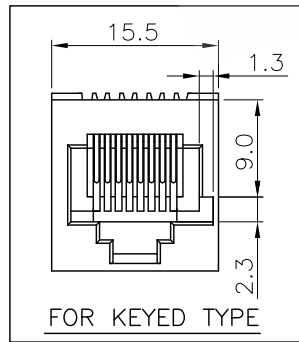
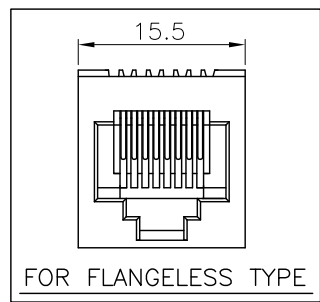
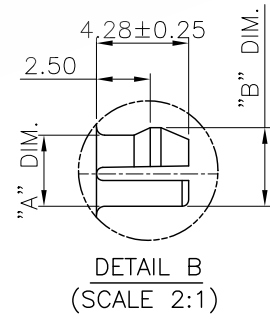


RECOMMENDED PCB LAYOUT
 RECOMMENDED PCB THICKNESS: 1.6mm
 TOLERANCE: ±0.05 (TOP VIEW)



THIS DRAWING IS A CONTROLLED DOCUMENT. DO NOT SCALE DRAWING.	
DIMENSIONS: MM	TOLERANCES UNLESS OTHERWISE SPECIFIED:
THIRD ANGLE PROJECTION	0 PLC ± -
	1 PLC ± 0.25
	2 PLC ± 0.13
	3 PLC ± 0.05
ANGLES	± -
MATERIAL	FINISH
SEE NOTES	SEE NOTES
WN <i>A.HUANG</i>	DATE AUG-12-2010
HK <i>M.CHANG</i>	AUG-12-2010
PVD <i>W.J.YANG</i>	AUG-13-2010



TITLE		
8POSITION, 180°, SPLIT PEGS, TOP ENTRY PCB JACK		
SIZE A3	CAUSE CODE -	DRAWING NO MR-960703
WEIGHT -	GRAMS Ref.	REV 7 SHEET 1