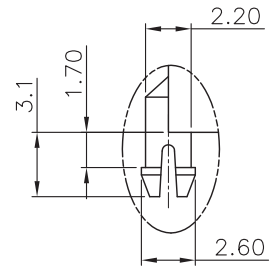
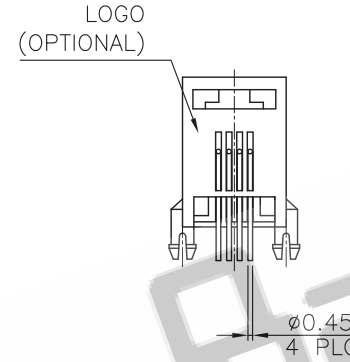
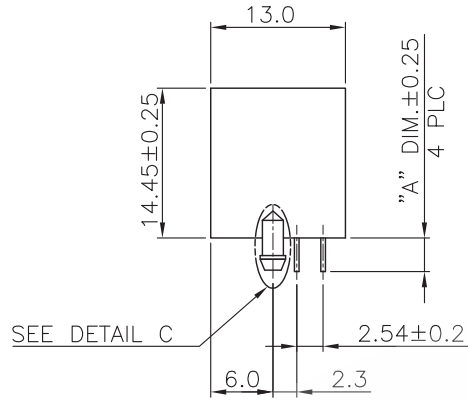
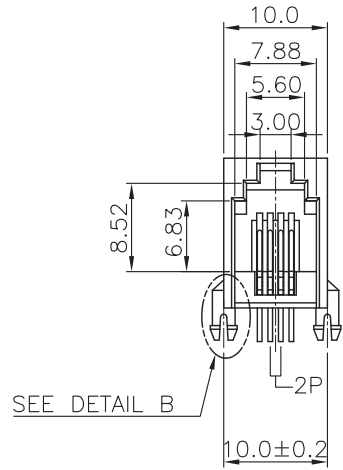
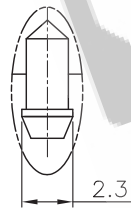


Micro-Ray

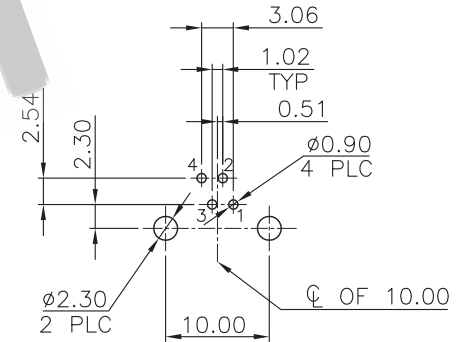
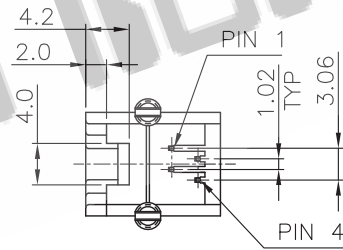
RoHS Compliance



DETAIL B
(SCALE 2:1)



DETAIL C
(SCALE 2:1)



RECOMMENDED PCB LAYOUT
RECOMMENDED PCB THICKNESS: 1.6mm
TOLERANCE: ±0.05 (TOP VIEW)

THIS DRAWING IS A CONTROLLED DOCUMENT.
DO NOT SCALE DRAWING.

DIMENSIONS: MM TOLERANCES UNLESS OTHERWISE SPECIFIED:

THIRD ANGLE PROJECTION
MATERIAL: SEE NOTES FINISH: SEE NOTES

DWN	A.HUANG	DATE	SEP-20-2016
CHK	M.CHANG	DATE	SEP-20-2016
APVD	W.J.YANG	DATE	SEP-21-2016

Micro-Ray

TITLE
4POSITION, MINI LOW PROFILE,
SIDE ENTRY PCB JACK

SIZE	A3	CAUSE CODE	-	DRAWING NO.	MR-961201
WEIGHT	-	GRAMS Ref.		REV	9
				SHEET	1