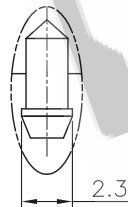
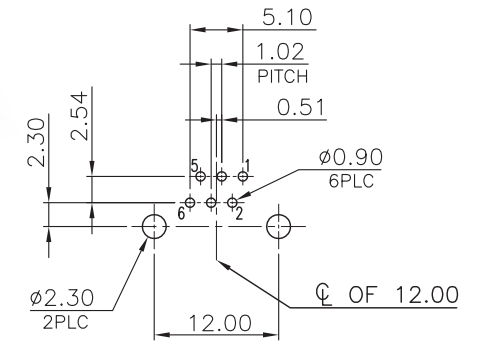
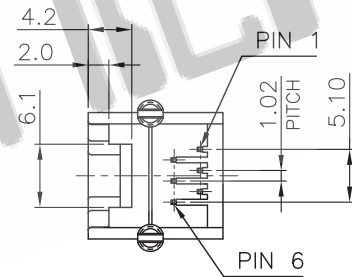


DETAIL B
(SCALE 2:1)



DETAIL C
(SCALE 2:1)



RECOMMENDED PCB LAYOUT
PCB THICKNESS: 1.6mm
TOLERANCE: ±0.05mm (TOP VIEW)

THIS DRAWING IS A CONTROLLED DOCUMENT. DO NOT SCALE DRAWING.			
DIMENSIONS: MM		TOLERANCES UNLESS OTHERWISE SPECIFIED:	
 THIRD ANGLE PROJECTION		X	± -
		X.X	± 0.25
		X.XX	± 0.13
		X.XXX	± 0.05
		ANGLES	± -
MATERIAL	SEE NOTES	FINISH	SEE NOTES
DWN	A.HUANG	DATE	JAN-20-2017
CHK	M.CHANG	DATE	JAN-20-2017
APVD	W.J.YANG	DATE	JAN-23-2017



TITLE
6POSITION, MINI LOW PROFILE,
SIDE ENTRY PCB JACK

SIZE	CAUGE CODE	DRAWING NO
A3	-	MR-961202
WEIGHT	- GRAMS Ref.	REV 6 SHEET 1