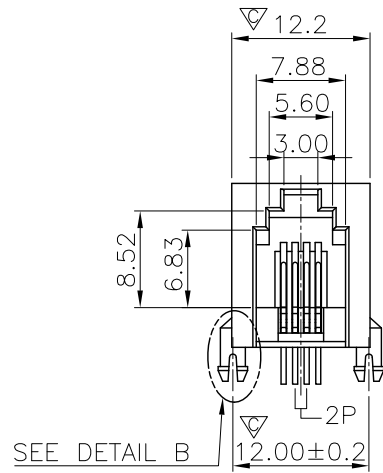
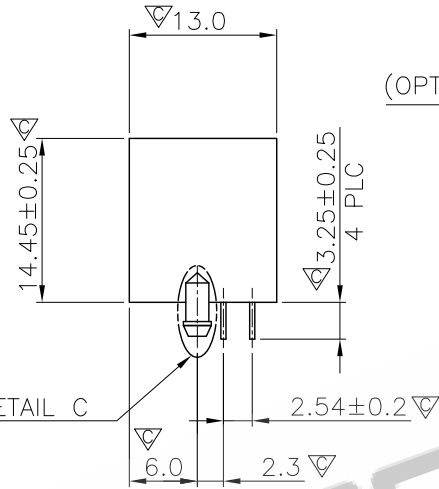


# Micro-Ray

# RoHS Compliance

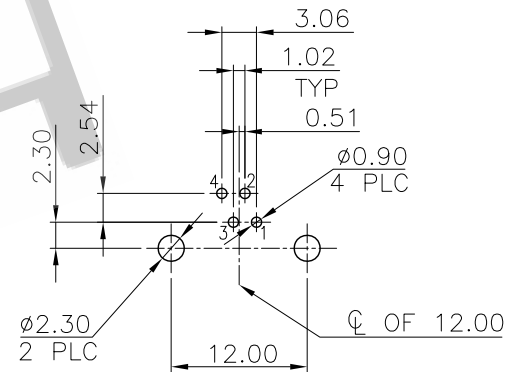
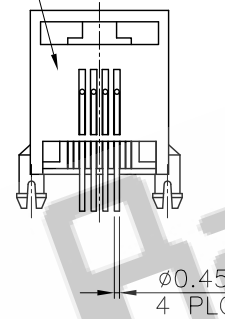


SEE DETAIL B

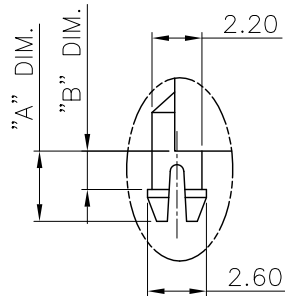


SEE DETAIL C

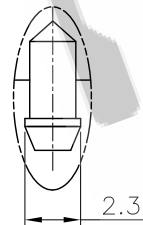
LOGO  
(OPTIONAL)



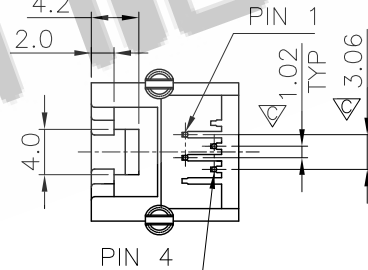
RECOMMENDED PCB LAYOUT  
 RECOMMENDED PCB THICKNESS: 1.6mm  
 TOLERANCE: ±0.05 (TOP VIEW)



DETAIL B  
(SCALE 2:1)



DETAIL C  
(SCALE 2:1)



THIS DRAWING IS A CONTROLLED DOCUMENT. DO NOT SCALE DRAWING.			
DIMENSIONS: MM		TOLERANCES UNLESS OTHERWISE SPECIFIED:	
 THIRD ANGLE PROJECTION		0 PLC	± -
		1 PLC	± 0.25
		2 PLC	± 0.13
MATERIAL		FINISH	
SEE NOTES		SEE NOTES	
DWN	A.HUANG	DATE	AUG-10-2010
CHK	M.CHANG	DATE	AUG-10-2010
APVD	W.J.YANG	DATE	AUG-11-2010

# Micro-Ray

TITLE  
6\*4POSITION, MINI LOW PROFILE,  
SIDE ENTRY PCB JACK

SIZE	A3	CAUSE CODE	-	DRAWING NO	MR-961701
WEIGHT	-	GRAMS Ref.		REV	8
				SHEET	1