

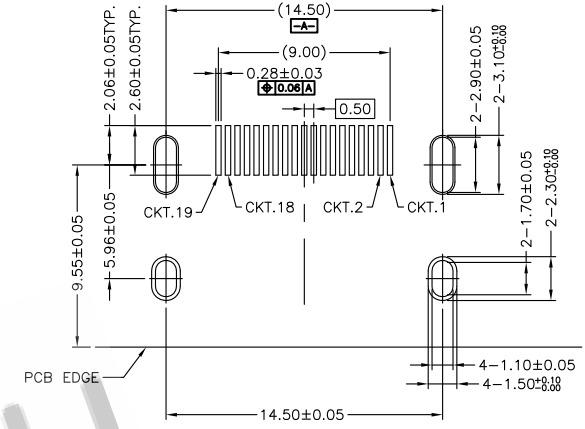
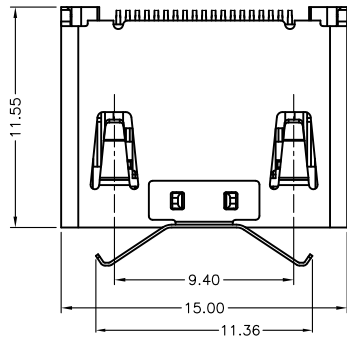
Part NO. information

MR-A111922-3-XX-T

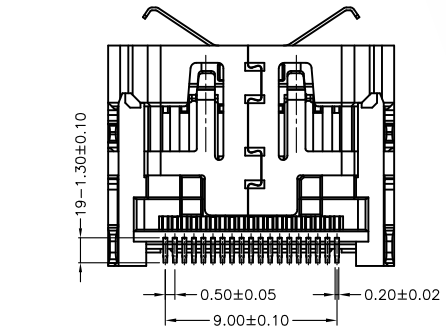
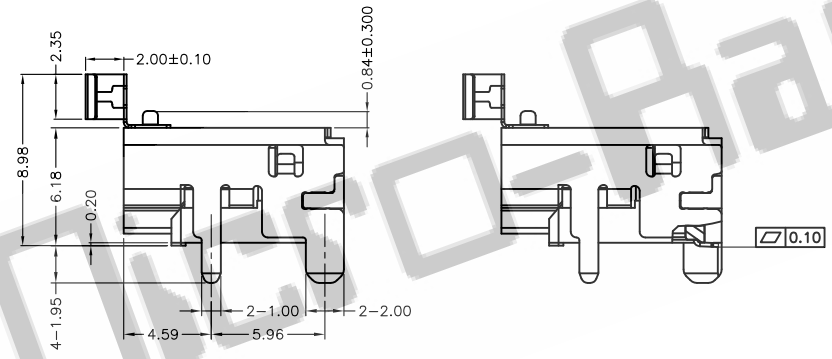
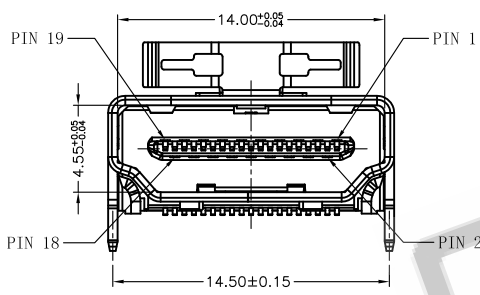
series: 11:HDMI-A/F
 number of POS.: 19pin
 follow NO.: 10
 difference type: 3: shell

packing:
 T: tray
 R: tape&reel

Contact area:
 01: Au 1u"
 03: Au 3u"
 05: Au 5u"
 10: Au 10u"
 15: Au 15u"
 30: Au 30u"



Notes:
 1. Material and finish see the table.
 2. Mechanical characteristics
 Insertion force: 44.1N max
 Extraction force: 9.8N min, 39.2N max
 Mating cycle: 10000 cycles
 3. Electrical characteristics
 Rating current: 0.5A
 Rating voltage: 40V
 Contact resistance: 10 Milliohms ohms max
 (Excluding conductor resistance)
 Insulation resistance:
 a, Unmated: 100M ohms min at 500 VDC
 b, Mated: 10M ohms min at 150 VDC
 Dielectric withstanding voltage:
 500V AC/1minute
 Operating temperature: -20°C---+85°C
 Storage temperature: -20°C---+65°C



04	shrapnel	K111910-J-00-A	SUS304, T=0.15		1
03	contact	T111922-A-XX-A	C2680, T=0.20	gold plating on contact area see part no. 80u" min matte tin plated on solder tails 50u" min. nickel under plated over all	1set
02	shell	K111922-3-00-A	C2680, T=0.50	solderable Ni 50u" min (without LOGO)	1
		K111922-2-00-A	C2680, T=0.50	solderable Ni 50u" min. (TC LOGO)	1
01	molding	B111922-I-XX-A	LCP 0194V-0	black	1
NO.	name	part NO.	material	plating/color	note

X. ± 0.30	HDMI-A/F smt type connector	DR: Andrew	PART NO: MR-A111922-3-XX-T	DWG NO: C-A111922-2(3)-XX-X	SHEET: 10F1 REV: B
.X ± 0.25					
.XX ± 0.20					
.XXX ± 0.15					
X' ± 2'	UNITS: mm	SCALE: NONE	客户图		
X' ± 1.5'					

B	TE2013-0154	图面有误	2013.04.17
A	TE2013-0001	初版发行	2013.01.02
REV	ECN NO	DESCRIPTION	DATE