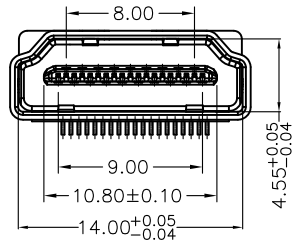
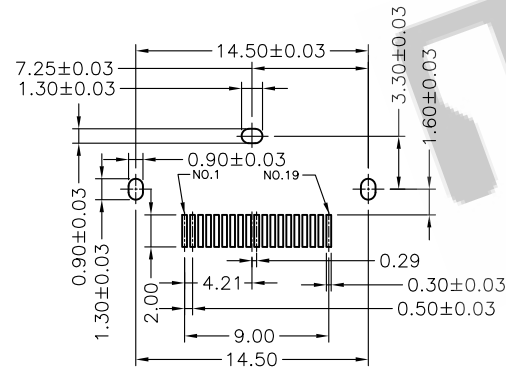
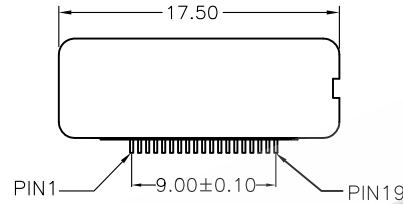
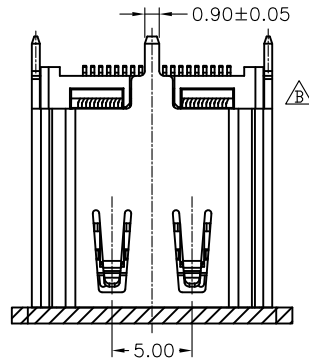


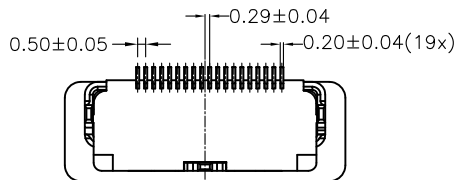
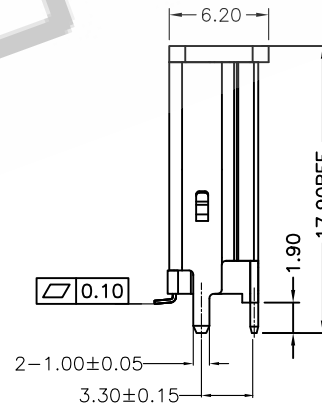
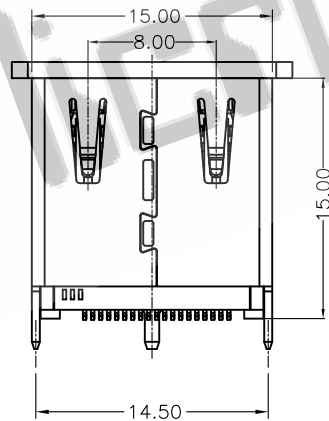
Micro-Ray



WITHOUT COVER



RECOMMENDED PCB LAYOUT(T=1.60mm)
TOP VIEW

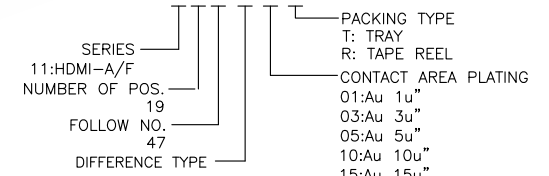


NOTE:

- MATERIAL:**
HOUSING AND BRACKET: HIGH TEMP. THERMOPLASTIC, UL 94V-0
COLOR: BLACK.
CONTACT: COPPER ALLOY, THICKNESS=0.20MM
SHIELD: COPPER ALLOY, THICKNESS=0.50MM
- FINISH:**
CONTACT: GOLD PLATING ON CONTACT AREA SEE NOTE
G/F PLATED ON SOLDER TAILS
50u" MIN. NICKEL UNDER PLATED OVER ALL
SHIELD: 50u" MIN. NICKEL PLATED OVER ALL
- MECHANICAL CHARACTERISTICS**
INSERTION FORCE: 44.1N MAX
EXTROCTION FORCE: 9.8N MIN, 39.2N MAX
MATING CYCLE:10000 CYCLES
- ELECTRICAL CHARACTERISTICS**
RATING CURRENT: 0.5A
RATING VOLTAGE: 40V
CONTACT RESISTANCE: 10 MILLIOHMS MAX
(EXCLUDING CONDUCTOR RESISTANCE)
INSULATION RESISTANCE:
a, UNMATED: 100M OHMS MIN AT 500 VDC
b, MATED: 10M OHMS MIN AT 150 VDC
DIELECTRIC WITHSTANDING VOLTAGE: 300V AC/1MINUTE
OPERATING TEMPERATURE: -20° C--+85° C
STORAGE TEMPERATURE: -20° C--+65° C

PART NO. INFORMATION

MR-A111947-K-XX-X



| Item | Title | Material | Dispose | Remark |
|------|----------|--------------|--|--------|
| 1 | Terminal | Copper Alloy | Mating Area:See P/N Solder Tails:Sn | t=0.20 |
| 2 | Molding | LCP | UL94V-0 | Black |
| 3 | Shell | Copper Alloy | Ni:50u" Min. | t=0.50 |
| 4 | CAP | LCP | UL94V-0 | Black |

| | | | |
|------------|---|------------------|-------------------------------|
| X. ± 0.35 | HDMI-A/F 180° SMT H=15/19PIN/脚长1.90 (INSERTMOLDING) | DR: Cola Lee | PART NO: MR-A111947-K-XX-X |
| .X ± 0.25 | | | |
| .XX ± 0.15 | | | |
| .XXX± | | | |
| X* ± 2° | UNITS: mm | SCALE: 1:1 | DWG NO: C-A111947-K-XX-X |
| .X* ± 1.5° | | | |
| | | CUSTOMER DRAWING | |
| | | SHEET:10F1 | |
| | | REV: B | |

Micro-Ray

| | | | | |
|-----|-------------|-------------|--------|------------|
| B | TE2018-0094 | 更新图纸 | 李小亮 | 2018/8/15 |
| A | TE2010-0628 | NEW RELEASE | | 2011/11/08 |
| REV | ECN NO | DESCRIPTION | DESIGN | DATE |