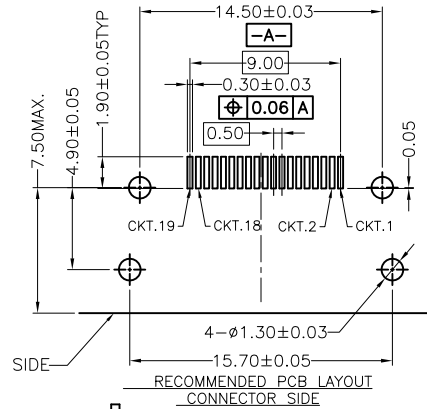
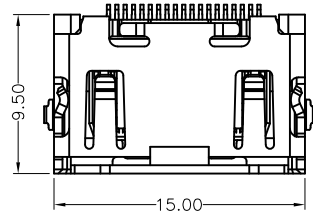
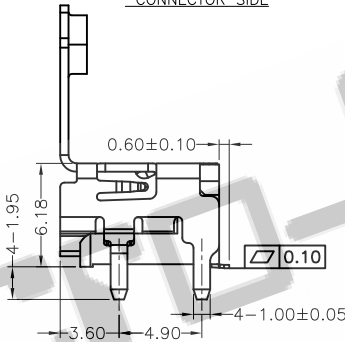
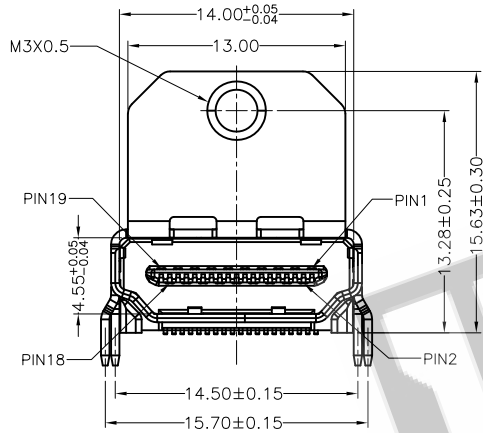


Micro-Ray

RoHS



NOTE:
 1.MATERIAL:
 HOUSING: HIGH TEMP.THERMOPLASTIC, UL 94V-0
 COLOR: BLACK.
 CONTACT: COPPER ALLOY, THICKNESS=0.20MM
 SHIELD: COPPER ALLOY OR SK7, THICKNESS=0.50MM
 2.FINISH:
 CONTACT: GOLD PLATING ON CONTACT AREA SEE NOTE
 SOLDER TAILS PLATED SEE PART NO.
 50u" MIN. NICKEL UNDER PLATED OVER ALL
 SHIELD: 50u" MIN. NICKEL PLATED OVER ALL
 3.MECHANICAL CHARACTERISTICS
 INSERTION FORCE: 44.1N MAX
 EXTROCTION FORCE: 9.8N MIN, 39.2N MAX
 MATING CYCLE:10000 CYCLES
 4.ELECTRICAL CHARACTERISTICS
 RATING CURRENT: 0.5A
 RATING VOLTAGE: 40V
 CONTACT RESISTANCE: 10 MILLOHMS OHMS MAX
 (EXCLUDING CONDUCTOR RESISTANCE)
 INSULATION RESISTANCE:
 a, UNMATED: 100M OHMS MIN AT 500 VDC
 b, MATED: 10M OHMS MIN AT 150 VDC
 DIELECTRIC WITHSTANDING VOLTAGE: 300V AC/1MINUTE
 OPERATING TEMPERATURE: -20°C--+85°C
 STORAGE TEMPERATURE: -20°C--+65°C

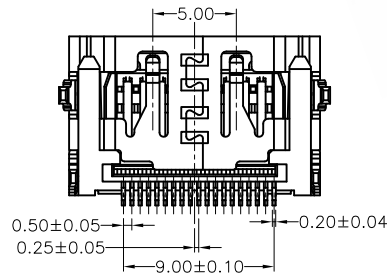


PART NO. INFORMATION

MR-A111989-9-XX-X

SERIES
 11:HDMI-A/F
 NUMBER OF POS.
 19
 FOLLOW NO.
 89
 DIFFERENCE TYPE.

PACKING TYPE
 R:TAPE REEL
 T: TRAY
 CONTACT AREA PLATING
 01:Au 1u"
 03:Au 3u"
 05:Au 5u"
 10:Au 10u"
 15:Au 15u"
 30:Au 30u"



03	CONTACT	T111989-A-XX-A	C2680 T=0.20	GOLD PLATING ON CONTACT AREA SEE PART NO. 80U" MIN MATTE TIN PLATED ON SOLDER TAILS 50U" MIN. NICKEL UNDER PLATED OVER ALL	1SET	
02	SHELL	K111989-9-0N-A	C2680 T=0.50	NICKEL 50u" Min. WITH"TC" Logo	1	
01	MOLDING	B111989-A-XX-A	LCP	UL94V-0 BLACK	1	
NO.	NAME	PART NO.	MATERIAL	FINISH/COLOR	Q' TY	
X. ±	HDMI-A-19P-F/Short/With Screw /Have Cover/InsertMold					
.X ± 0.25	DR: Beny Fan					PART NO: MR-A111989-9-XX-X
.XX ± 0.20						DWG NO: Customer Drawing
.XXX±						SHEET:10F1
X* ± 2.5*						REV: A
.X* ± 2'						
UNITS: mm		SCALE: 1:1		DWG NO: C-A111989-9-**-*		

A	TE2012-0035	New Drawing	2012/02/13
REV	ECN NO	DESCRIPTION	DATE