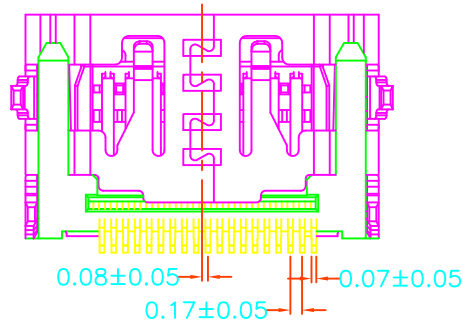
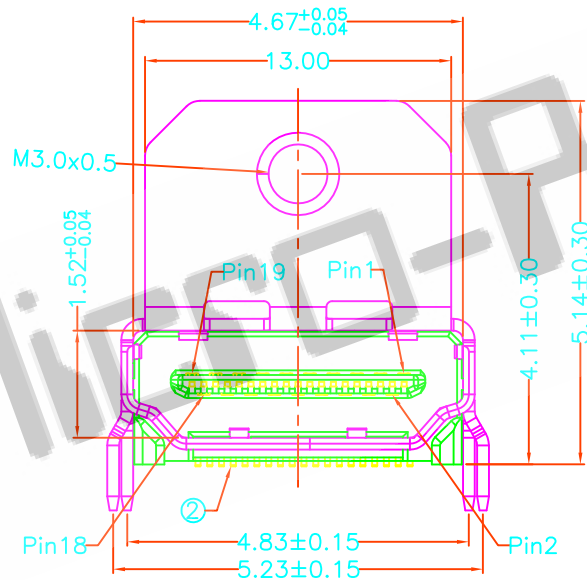
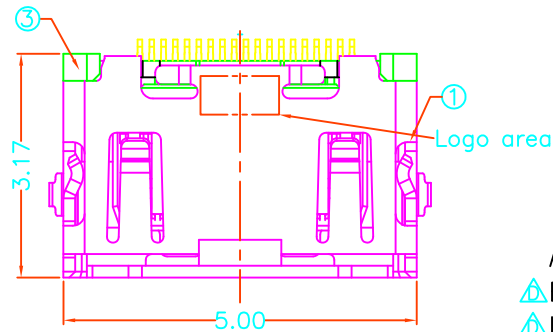
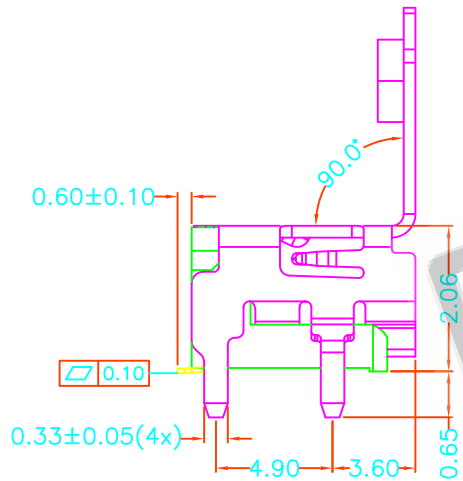


Recommended PCB Layout Connector Side  
(General Tolerance:±0.05)



MR-A111989-A-XX-X

Different Code

- A:No Logo(Brass Solder Tail :Matte Tin)
- E:JAE Logo(Brass Solder Tail :Matte Tin)
- L:LEOCO Logo(Brass Solder Tail :Matte Tin)
- P:No Logo(SK7 Solder Tail :Matte Tin)
- T:No Logo(Brass Solder Tail :Gold Flash)

Contact Area Plating

- 01: Au 1u"Min.
- 03: Au 3u"Min.
- 05: Au 5u"Min.
- 10: Au 10u"Min.
- 15: Au 15u"Min.
- 30: Au 30u"Min.

Packing Type

- T:Tray
- R:Tape & Reel

Item	Title	Material	Dispose	Remark
1	Shell	See P/N t=0.50	Ni 50u"(min.)	
2	Terminal	Brass t=0.20	Mating Area:See P/N Solder Tails:See P/N	
3	InsertMolding	LCP	UL94V-0	Black

Electrical:

Rating Current: 0.5A

Rating Voltage: 40V

Contact Resistance: 10 Milliohms Ohms Max  
(Excluding Conductor Resistance)

Insulation Resistance:

a.Unmated: 100M Ohms Min at 500VDC

b.Mated: 10M Ohms Min at 150 VDC

D	TE2011-0218	Add Leoco&JAE Logo,Add SK7 Shell.	2011/04/29
C	TE2010-820	Add Solder Tail Plated SPEC.	2010/10/15
B	TE2010-398	Add Leoco Logo.	2010/06/07
A	TE2010-174	New Drawing	2010/03/18
REV	ECN NO	DESCRIPTION	DATE

X. ± 0.40	HDMI-A-19P-F/Short InsertMold	<b>Micro-Ray</b>	
.X ± 0.30			
.XX ± 0.20			
.XXX± 0.10			
X* ± 2.5*	DR: ZZQ	PART NO: MR-A111989-A(E,L,P,T)-XX-X	
.X* ± 2*	UNITS: mm	SCALE: 3:1	DWG NO: CUSTOMER DRAWING C-A111989-A(B,E,L,P,Q,T)-XX-X
		SHEET:10F1	
		REV: D	