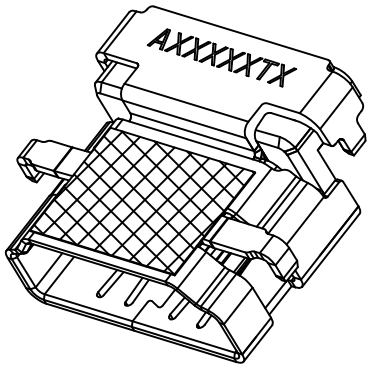
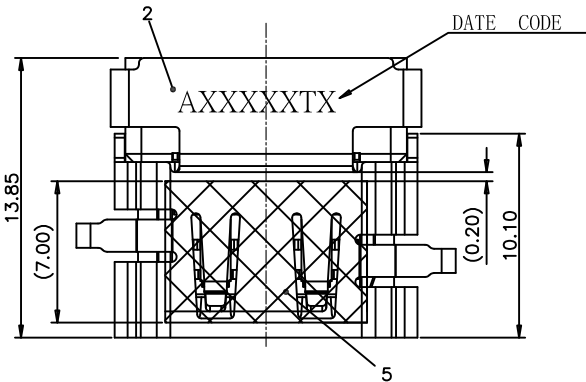


A
B
C
D
E
F

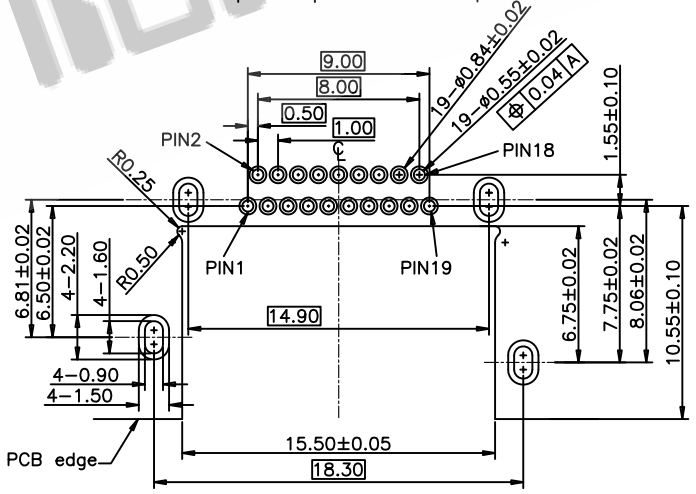
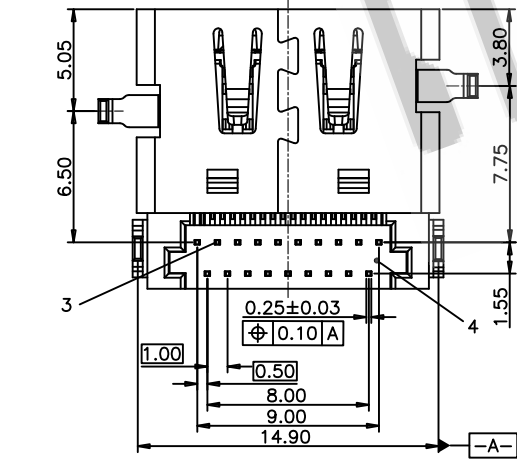
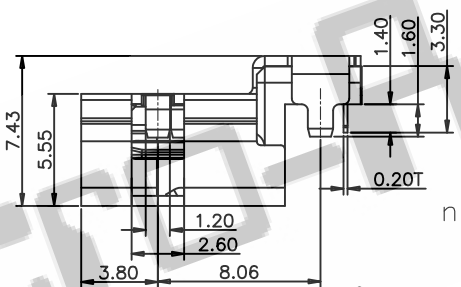
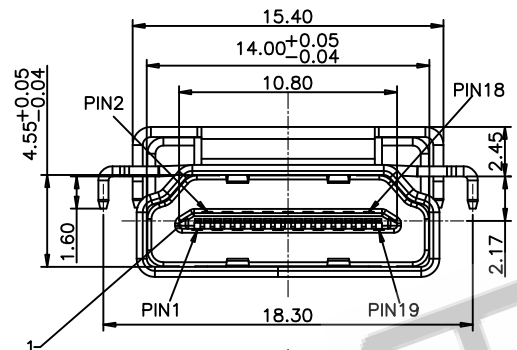
A
B
C
D
E
F



NOTE:
 1.MECHANICAL CHARACTERISTICS
 INSERTION FORCE: 4.5KgF MAX
 EXTRACTION FORCE: 1.0-4.0KgF
 LIFE TEST :10000 CYCLES
 2.ELECTRICAL CHARACTERISTICS
 RATING CURRENT: 0.5A
 RATING VOLTAGE: 40V
 CONTACT RESISTANCE: 30 MILLIOHMS MAX
 DIELECTRIC WITHSTANDING VOLTAGE: 500V AC/1MINUTE
 3.OTHER GENERAL SPEC. TO REFER "HAMI SERIES SPEC";
 4.PACKAGING:SEE PACKAGE SPEC;
 5.FOR REFLOW SOLDERING LEAD-FREE PROCESS.

MR-A1119C3-E-XX-R

Form A:ASS'y series 11:HDMI-A/F follow NO.:C3 difference type:E
 Packing type R: reel contact area plating
 01:Au 1u"
 03:Au 3u"
 05:Au 5u"
 10:Au 10u"
 15:Au 15u"
 30:Au 30u"



Recommended PCB LAYOUT(TOP VIEW)
 Thickness=1.2±0.10mm
 Tolerance=±0.05mm

5	Mylar	KAPTON FILM		1
4	Cover	LCP UL94V-0	Black	1
3	Contact	Copper alloy	See part number	1
2	Shell	Copper alloy	Plating Ni 50u"Min.	1
1	Housing	LCP UL94V-0	Black	1
NO.	Name	Material	Finish/colour	Qty'

X. ±	HDMI A TYPE FEMAL /DIP TYPE(SINKING)
.X ± 0.25	
.XX ± 0.15	
.XXX±	
X* ± 3°	DR: Michael
.X* ± 2°	
UNITS: mm	SCALE: 1:1

Micro-Ray	
DWG NO: C-A1119C3-E-XX-R	客户图 SHEET:10F1 REV:A

REV	TE2013-0478	Initial released	11/06/2013
1	ECN NO	DESCRIPTION	DATE