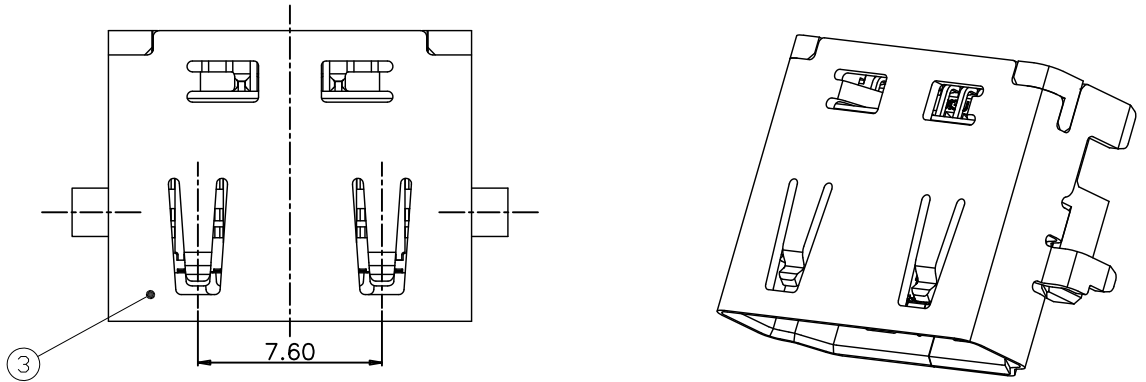


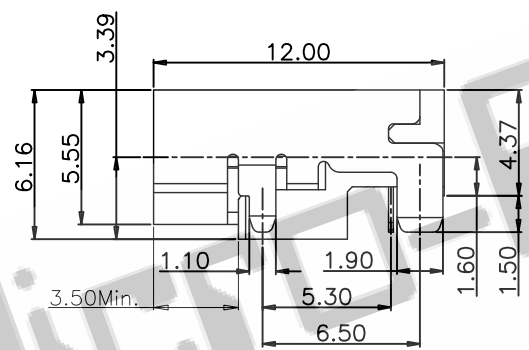
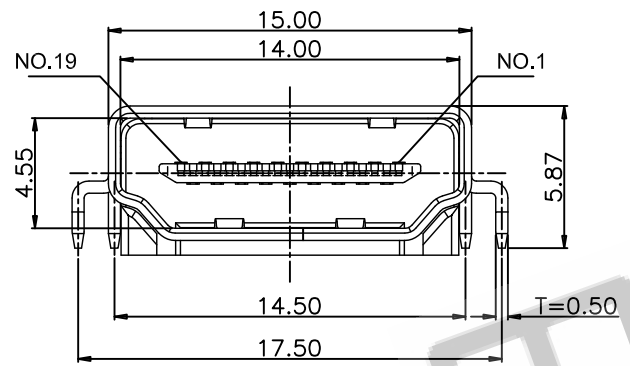
1 2 3 4 5 6 7 8 9 10

A  
B  
C  
D  
E  
F

A  
B  
C  
D  
E  
F

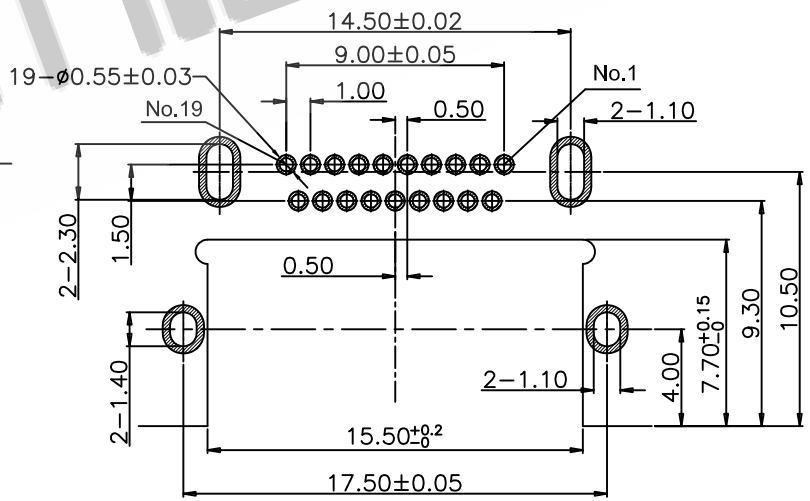
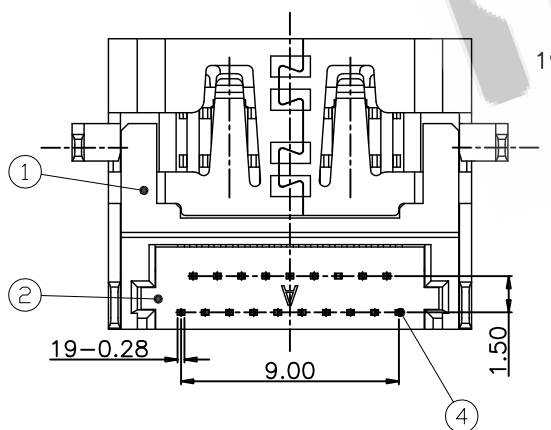


Note:  
 1.Mechanical characteristics  
 insertion force: 44.1N max  
 withdrawal force: 9.8N min, 39.2N max  
 mating cycle:10000 cycles  
 2.Electrical characteristics  
 rating current: 0.5A  
 rating voltage: 40V  
 contact resistance: 10 milliohms max  
 (excluding conductor resistance)  
 insulation resistance:  
 a, unmated: 100M Ohms min at 500 VDC  
 b, mated: 10M Ohms min at 150 VDC  
 dielectric withstanding voltage: 300V AC/1minute  
 operating temperature: -20°C~+85°C  
 storage temperature: -20°C~+65°C  
 3.Product is halogen free



MR-A1119C3-K-XX-R

Form: A:ASS'y  
 series: 11:HDMI-A/F  
 packing type: R:reel, T:tray  
 contact area plating:  
 01:Au 1u"  
 03:Au 3u"  
 05:Au 5u"  
 10:Au 10u"  
 15:Au 15u"  
 30:Au 30u"  
 number of POS.:19  
 follow NO.:C3  
 difference type:



Recommended pcb layout (top view)  
 (thickness=1.2±0.10mm) (tolerance ±0.05)

04	Contact	C2680 T=0.20mm	Gold plating on contact area see part no. 1u"min gold plated on solder tails 50u" min. nickel under plated over all	19
03	Shell	SPCC T=0.50mm	Solderable Ni 50u"min.	1
02	Cover	LCP UL94V0	Black	1
01	Housing			1
NO.	Name	material	Plating/Color	NOTE

X. ± 0.25	APPD:	<b>Micro-Ray</b>
.X ± 0.20	CHKD:	
.XX ± 0.15	DR:	
.XXX ± 0.10	Cola Lee	
X' ± 2.0'		
X" ± 1.5"		
	UNITS: mm	SCALE: NONE
PART NO: MR-A1119C3-K-XX-R		DWG NO: CUSTOMER DRAWING
C-A1119C3-K-XX-R		SHEET:10F1
		REV: A

REV	ECN NO	DESCRIPTION	DATE
A	TE2017-0017	NEW RELEASE	2017-03-14

1 2 3 4 5 6 7 8 9 10