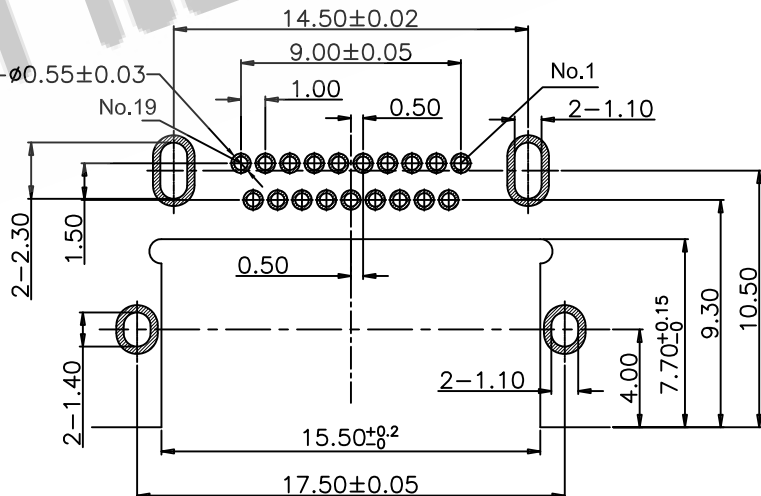
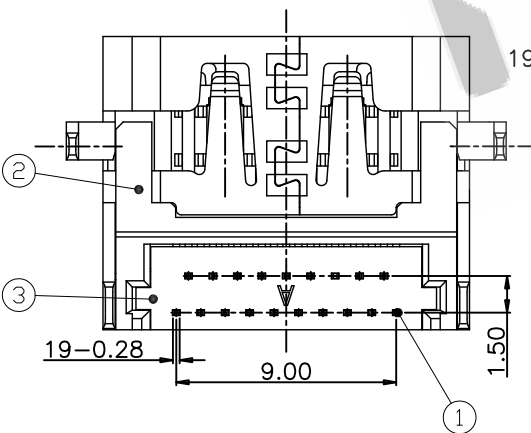
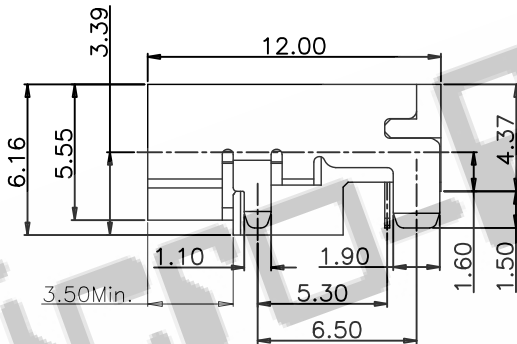
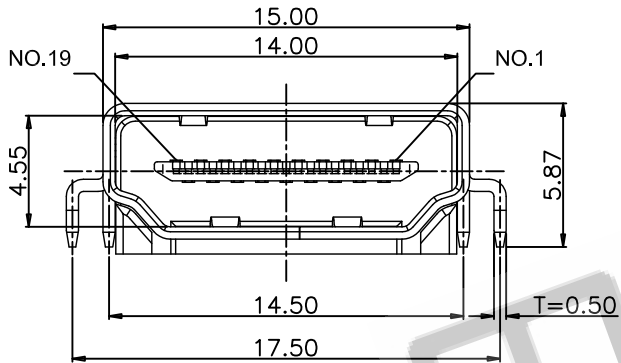
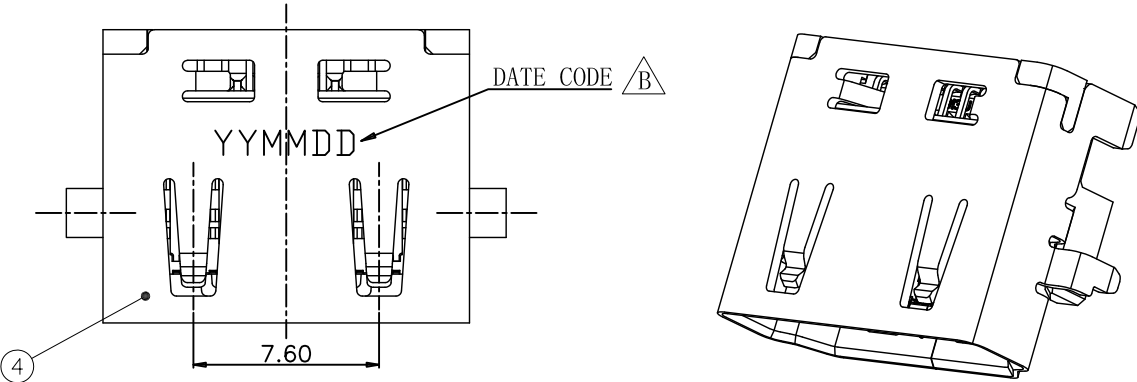


# Micro-Ray



Recommended pcb layout (top view)  
(thickness=1.2±0.10mm) (tolerance ±0.05)

Note:

- Mechanical characteristics  
insertion force: 44.1N max  
withdrawal force: 9.8N min, 39.2N max  
mating cycle: 10000 cycles
- Electrical characteristics  
rating current: 0.5A  
rating voltage: 40V  
contact resistance: 10 milliohms max  
(excluding conductor resistance)  
insulation resistance:  
a, unmated: 100M Ohms min at 500 VDC  
b, mated: 10M Ohms min at 150 VDC  
dielectric withstanding voltage: 300V AC/1minute  
operating temperature: -20°C~+85°C  
storage temperature: -20°C~+65°C
- Product is halogen free

## MR-A1119C3-L-XX-R

Form: A:ASS'y  
series: 11:HDMI-A/F  
number of POS.: 19  
difference type: L

packing type:  
R: reel  
T: tray

contact area plating:  
01: Au 1u"  
03: Au 3u"  
05: Au 5u"  
10: Au 10u"  
15: Au 15u"  
30: Au 30u"

| Item | Title    | Material     | Dispose                                  | Remark |
|------|----------|--------------|--|--------|
| 1    | Terminal | Copper Alloy | Mating Area: See P/N<br>Solder Tails: Sn | t=0.20 |
| 2    | Housing  | LCP          | UL94V-0                                  | White  |
| 3    | Cover    | LCP          | UL94V-0                                  | White  |
| 4    | Shell    | SPCC         | Ni: 50u" Min.                            | t=0.50 |

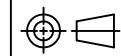
|            |
|------------|
| X. ± 0.35  |
| .X ± 0.25  |
| .XX ± 0.15 |
| .XXX ±     |
| X* ± 2°    |
| .X* ± 1.5° |

HDMI-A/F  
DIP TYPE 2R  
(WHITE)

DR: Cola Lee

# Micro-Ray

PART NO: MR-A1119C3-L-XX-R



UNITS: mm

SCALE: 1:1

DWG NO: C-A1119C3-L-XX-R

CUSTOMER DRAWING  
SHEET: 10F1  
REV: B

| REV | ECN NO      | DESCRIPTION | DESIGN   | DATE       |
|-----|-------------|-------------|----------|------------|
| B   | TE2019-0190 | Add D/C     | Cola Lee | 2019/09/10 |
| A   | TE2018-0010 | New Drawing | Cola Lee | 2018/01/25 |