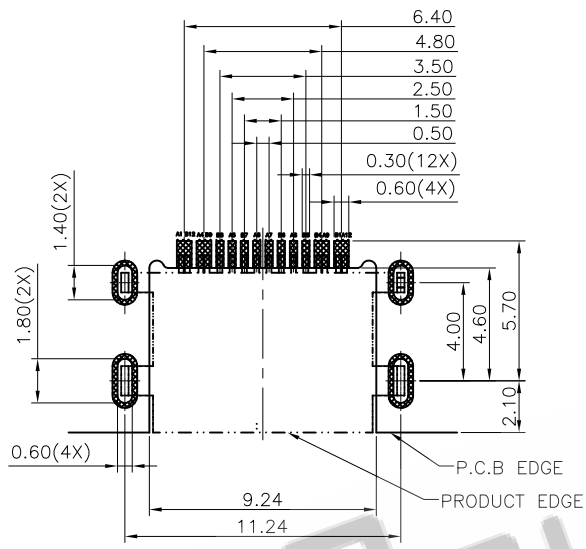
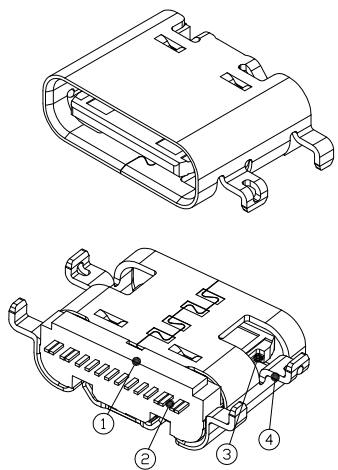
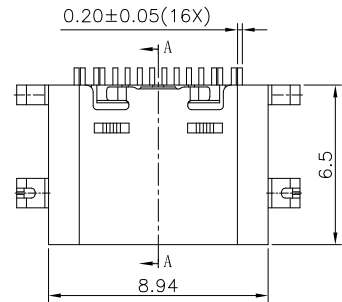
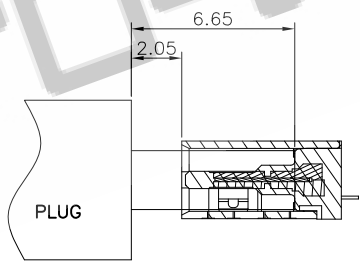
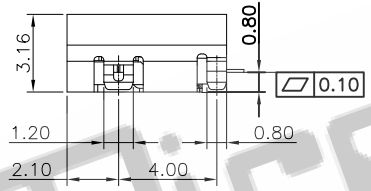
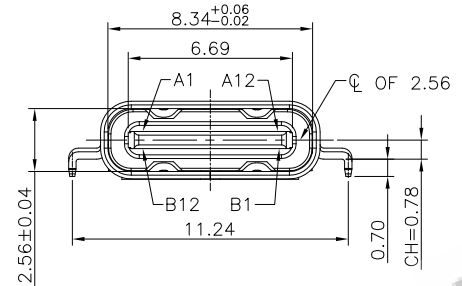


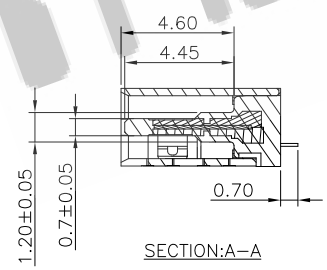
Micro-Ray



RECOMMENDED PCB LAYOUT(TOP VIEW)
THICKNESS 0.80MM;DEFAULT TOLERANCE:±0.05



AFTER MATING



MR-W10 16 P5-X-XX-R

Pin No: _____ Packing: _____
Flow No: _____ R:Reel
Plating: _____
01: Au G/F
03: Au 3u"
... ..
30: Au 30u"

- NOTE:**
- MATERIAL SPECIFICATION:**
 - HOUSING:HIGH TEMPERATURE RESISTANT PLASTIC(LCP),UL94 V-0.
 - CONTACTS:COPPER ALLOY(C1814)T=0.12mm
 - MID PLATE: STAINLESS STEEL(SUS301)T=0.20mm
 - EMI PLATE: STAINLESS STEEL(SUS301)T=0.10mm
 - SHELL: STAINLESS STEEL(SUS304)T=0.30mm
 - PLATING SPECIFICATION:**
 - CONTACTS:
 - Ni 50u" MIN. UNDER PLATED OVER ALL.
 - Au PLATED ON THE FUNCTIONAL AREA OF CONTACT. (GOLD PLATING THICKNESS FOLLOW THE P/N)
 - FRONT SHELL:
 - Ni 30u" MIN. UNDER PLATED OVER ALL.
 - MID PLATE:
 - CLEAR ONLY
 - MECHANICAL PERFORMANCE,**
 - INSERTION FORCE: 0.5~2.0kgf.
 - EXTRACTION FORCE: 0.8kgf~2.0kgf.
 - DURABILITY: 10000 CYCLES.
 - ELECTRICAL PERFORMANCE,**
 - CURRENT RATING:5.0A
VOLTAGE RATING:5.0V
 - LLCR:
 - VBUS & GND PINS AND OTHER PINS: 40mΩ/PIN MAX.
 - SHIELD: 50mΩ/MAX.
 - LLCR MAX. CHANGE OF ALL PINS: 10mΩ.
 - INSULATION RESISTANCE: 100MΩ MIN
 - DIELECTRIC WITHSTAND VOLTAGE,AC 100V FOR 1 MINUTE.
 - ENVIRONMENTAL PERFORMANCE:**
 - OPERATING TEMPERATURE: -25°C~+85°C.
 - IR REFLOW:**
 - THE PEAK TEMPERATURE ON THE BOARD SHALL BE MAINTAINED FOR 10 SECONDS AT 260°C.

USB TYPE-C PIN ASSIGNMENTS

PIN NUMBER	SIGNAL NAME	PIN NUMBER	SIGNAL NAME
A1	GND	B12	GND
A4	VBUS	B9	VBUS
A5	CC1	B8	SBU2
A6	Dp1	B7	Dn2
A7	Dn1	B6	Dp2
A8	SBU1	B5	CC2
A9	VBUS	B4	VBUS
A12	GND	B1	GND

X. ± 0.35	TITLE: USB TYPE C母座16PIN (L=6 5mm) 沉板0 8mm	Micro-Ray
.X ± 0.30		
.XX ± 0.25	DR: Drex	PART NO: MR-W10 16 P5-X-XX-R
.XXX±		
X' ± 2"	UNITS: mm	SCALE: 1:1
.X' ± 1.5"		
DWG NO: C-W1016P5-A-XX-R		CUSTOMER DRAWING
		SHEET: OF 1
		REV: A

REV	ECN NO	DESCRIPTION	DESIGN	DATE
A	TE2019-0027	New Drawing	Drex	2019/04/03